



solocontainment

# D/T - Drum to Process Transfer Isolator

Contained drum transfer into process vessels or CSV/SBV Charge bags:



Drum entry using continuous liner



Ezi-Dock CSV interface



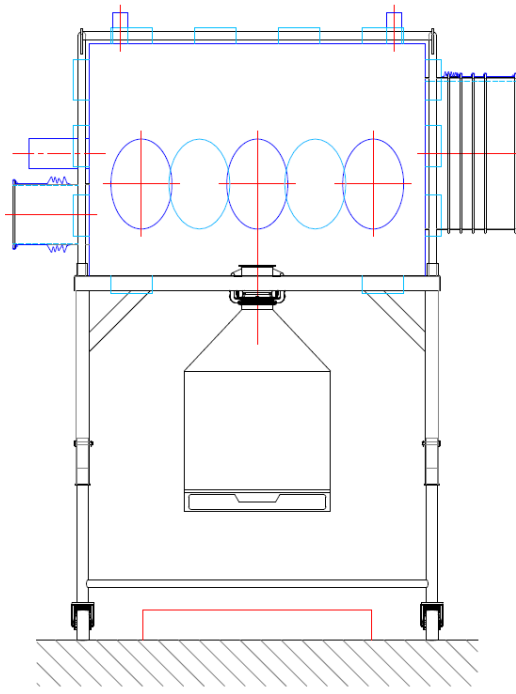
Charge-Point® interface

SOLO manufacture a wide range of D/T drum transfer isolators. Designed to contain API particles during transfer and capable of fully inert gas operation, D/T's are the ideal system for powder sub-division from bulk drums into Ezi-Dock CSV charge bags or SBV systems. Solo can provide full Negative Air pressure operation Drum Transfer isolators as well as ambient pressure systems for low hazard API's .

Contact the Solo Containment team +44 (0)1625 344014 for more details or email: [sales@solocontainment.com](mailto:sales@solocontainment.com)

## Solo's D/T isolators are suitable for the following applications:

- Bulk drum sub-division to charge bags / charge bottles
- Bulk transfer from drums into process vessels or IBC's
- Powder weighing



Fully ATEX rated D/T with weigh scale



Pall Nitrogen inlet filter

### Drum Transfer Isolator Construction Specification:

Solo's Drum Transfer isolators are mounted on a polished fully welded stainless steel support frame with features such as height adjustable legs (hydraulic or manual) to position the isolator at the most ergonomic height for operation.

The flexible film containment enclosures are designed for fast tool free change over using press studs. This is faster and more repeatable than bungee cord suspension systems. Solo flexible enclosures can be arranged with front only or front and rear glove port access. In all cases the flexible film enclosure is designed to ensure no stainless steel parts such as the table top are in contact with API materials. A range of PTFE ferrules are available for connection to contained transfer couplings or where needed a single use connection may be provided to permit contained disposal of all API contaminated parts.

Where required drum lifters can be provided to create a complete Drum Transfer package.

### Benefits:

- **Fast Enclosure Change Over**
- **Secure attachment to work table & support frame**
- **Disposable Continuous Liner systems for Single Use Operation**



Flexible enclosure press stud attachment to table



DT with hinge up base for easy bin liner attachment