

soloMAX

Engineered Acrylic Isolators & Packing Line Enclosures

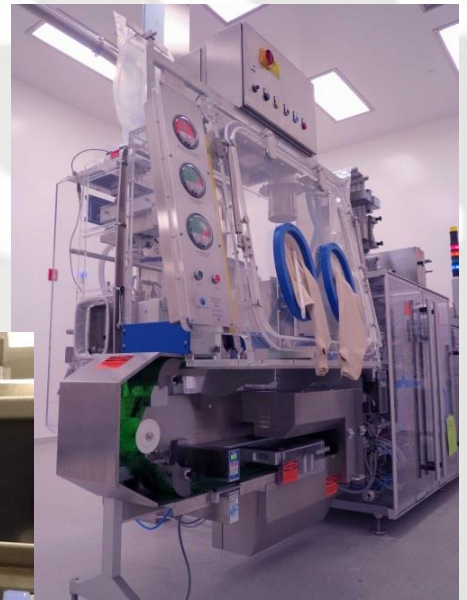
Total process visibility with OEB 5 containment performance. Manufactured in a range of clear plastic materials including Acrylic and chemically resistant PetG polycarbonates.



3 glove API dispensing/charging Isolator



Gas tight service interface



soloMAX Blister Filling Line Isolator



3 Glove soloMAX with inflatable seal doors



soloMAX Tablet Loading via RTP

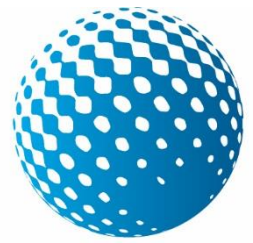
The soloMAX Isolators incorporate all of the design features typically found in stainless steel hard shell Isolators, but at a more cost effective price level and typically with a much shorter delivery schedule.

soloMAX provides a 'SMART' solution with hardshell durability and total process visibility.

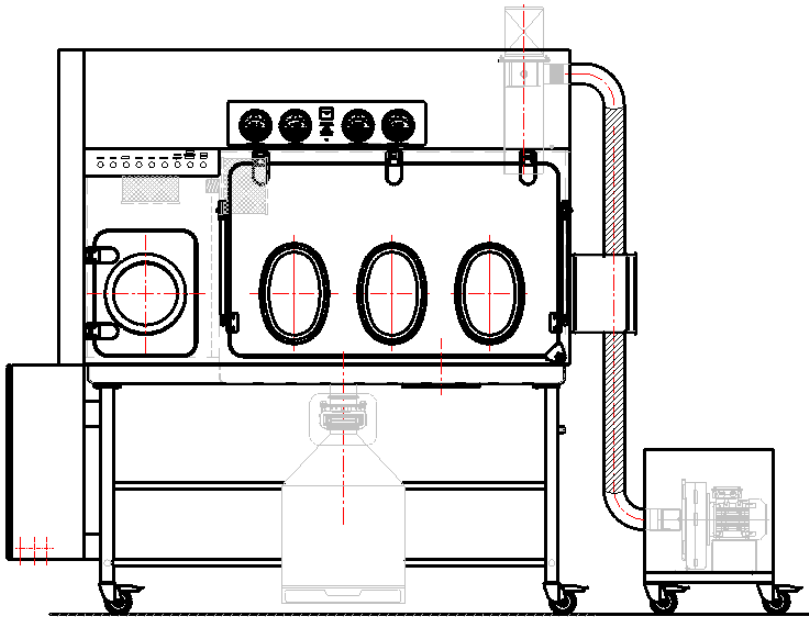
Contact the Solo Containment team +44 (0)1625 344014 for more details or email: sales@solocontainment.com

The soloMAX is suitable for a range of applications including:

- Powder sampling & dispensing
- Product transfer to Charge Bags
- Kilo Lab glassware Enclosure
- Packing Line Containment systems



soloMAX



Continuous liner bag out port with sealed door



Kilo lab containment enclosure



Gas tight utility port

soloMAX Construction Specification:

Versatility is the key feature of the soloMAX product range: Classic free standing Isolators with wash through stainless steel base trays on castor mounted floor stands are available in a number of sizes. soloMAX is available with an acrylic base panel for laboratory bench top applications.

For Kilo-Lab facilities chemically resistant PetG is used in a frame and panel format. The main structure is a 316L or similar stainless space frame with integrated wash through base trays. PetG wall panels and glove ports are located to permit access to all glassware and valves etc.

Available features include:

- Easy access gas strut supported front screen
- Safe Change Glove ports
- Interlocked/inflatable seal doors
- RTP product/equipment transfers
- Continuous Liner waste exit
- Gas tight utility service connections
- Push-Push Safe Change HEPA filtration
- Closed Loop fan control
- High volume airflow for Kilo-Lab enclosures

For expert advice on Acrylic Isolation Systems contact Solo today:

Solo Containment Ltd. Unit 6 Rupert Park, Poynton, Cheshire, United Kingdom, SK12 1PQ

www.solocontainment.com Tel +44 (0)1625 344014 Email sales@solocontainment.com